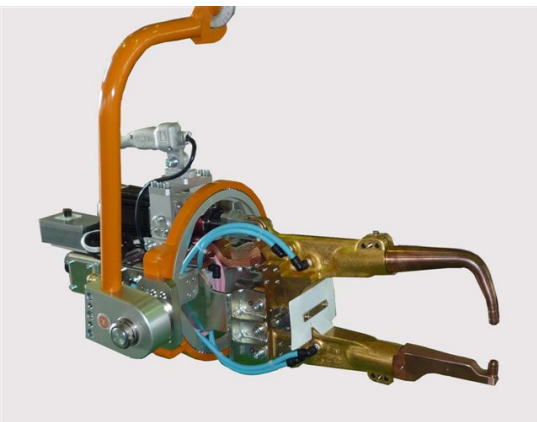


# ART-HIKARI Portable Servo Gun SP-4701-D

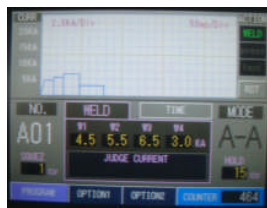
*Portable Gun with built-in MF Transformer and Servomotor Welding-force System*



Gun appearance



- Using the inverter transformer of 3000Hz.
- Lightweight compact and user-friendly operability.
- Realizing low welding-force welding.
- Welding force controllable in 5 steps while welding.
- Synchronizing weld time with pressure time.  
(when ART-HIKARI-make timer is used).
- Programmable for 4 welding-force conditions.
- Programmable for 15 timer conditions.  
(240 other conditions with PLC)
- Possible for 4 weld-time conditions for each timer setting.
- Stable welding quality with the thermic function.



Timer display



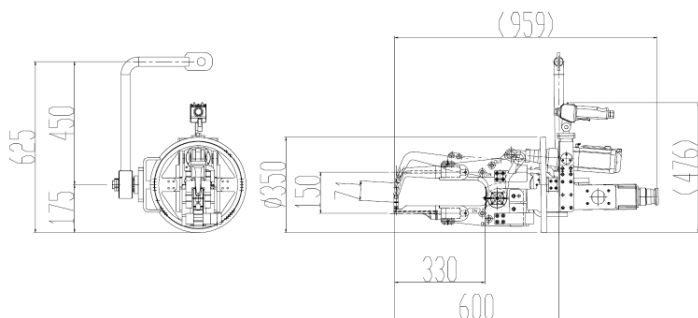
Switch of open-close on the handle



Selector switch box for welding conditions

## 【SPECIFICATION】

Type Number	SP-MF4701-D
Input Power	400V 3 phases
Rated Capacity	70KVA
Max. current on secondary side	16KA1
Arm Length	320mm
Welding Force	4KN
Stroke	70mm
Weight	65 kgs.
Dimensions	350(W) × 625(H) × 959(L)



Outline dimensional drawing